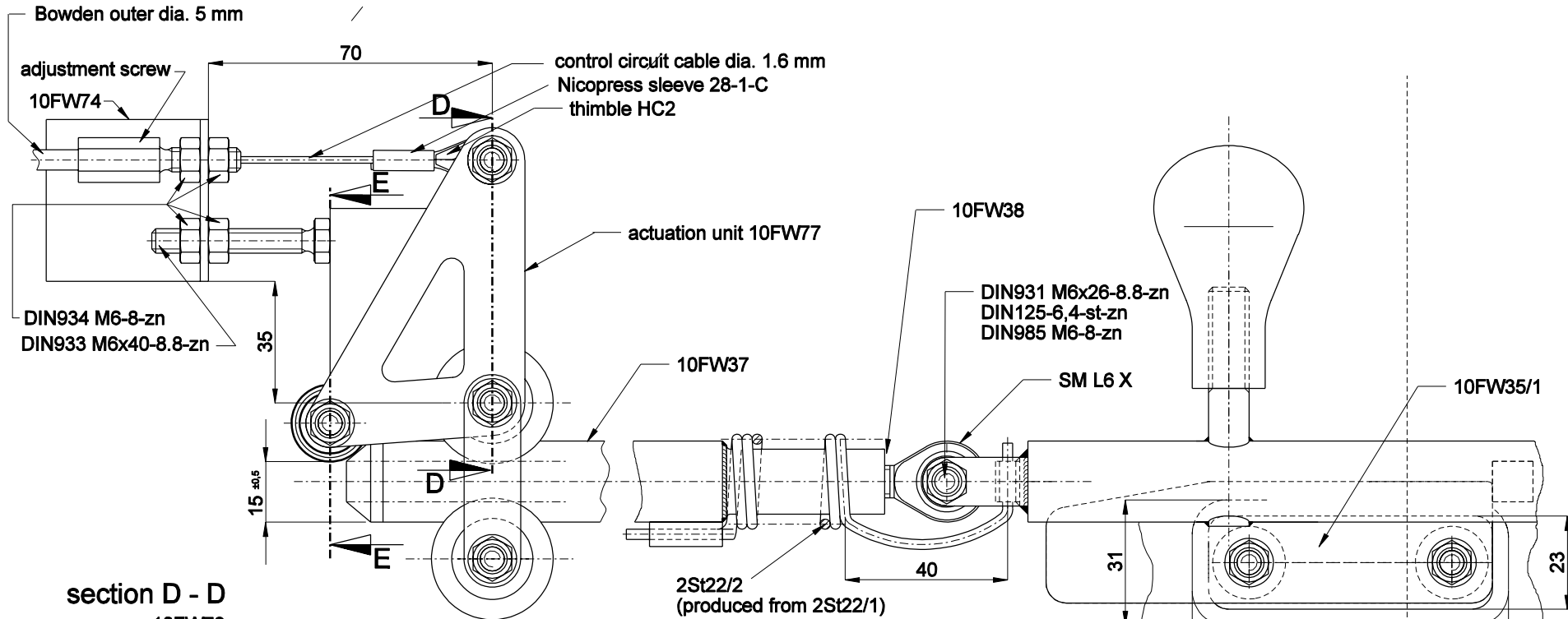
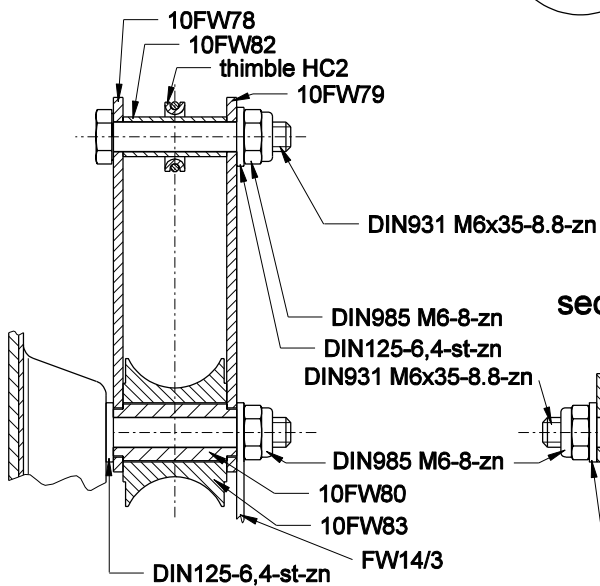


additionally to diagram 12

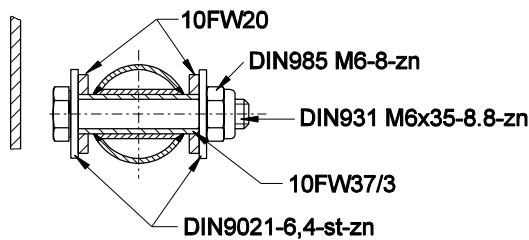
replaces detail W in diagram 12



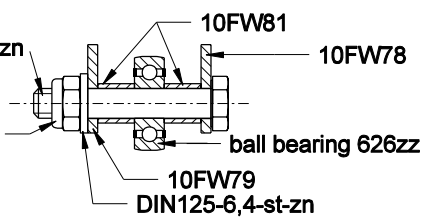
section D - D



replaces section C-C in diagram 12



section E - E



actuation unit
LG locking device
differences to MM diagram 12

diagram 18

issued February 2008
TN 1000/13